

# PLUSCUT 105 - AUTO

CE EN60974-7



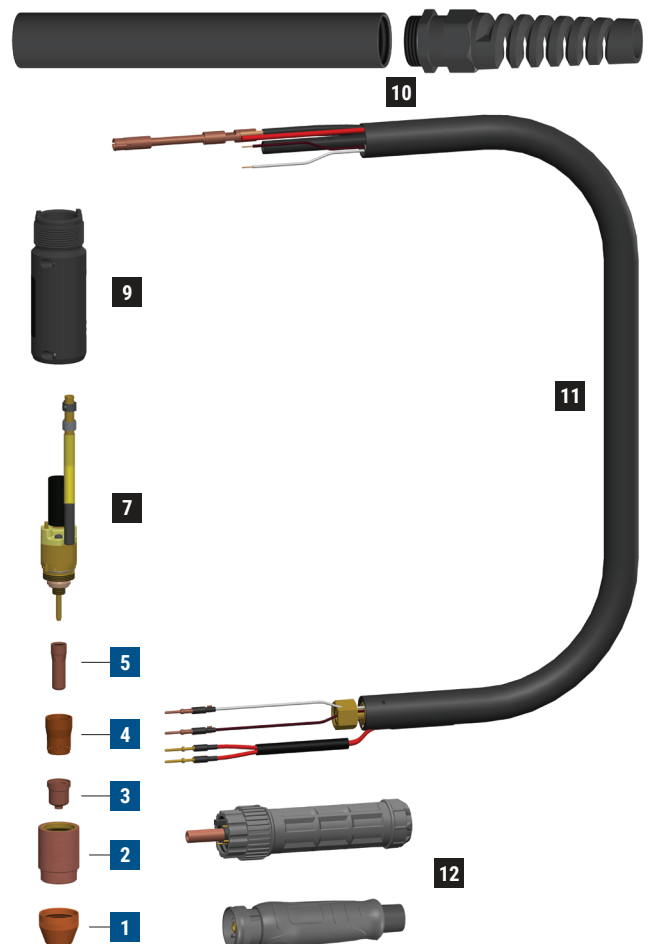
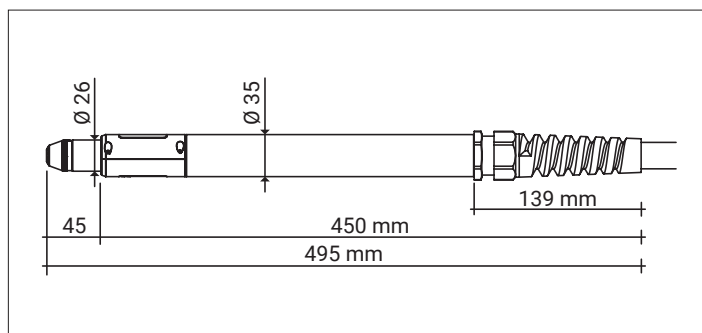
| CABLE ASSEMBLY  |      |       |                     |
|-----------------|------|-------|---------------------|
| CODE            | ↔    |       |                     |
| PAP406P-019-TB3 | 6 m  | 19.7' | <br>CENTRAL 019     |
| PAP412P-019-TB3 | 12 m | 39.4' |                     |
| PAP406P-319-TB3 | 6 m  | 19.7' | <br>TRAFIMECTOR 319 |
| PAP412P-319-TB3 | 12 m | 39.4' |                     |

For Central 019 and Trafimector 319 pin connection scheme please see the relevant page.

## CONSUMABLE KITS

| CODE   |                          |   |
|--------|--------------------------|---|
| PT2105 | <br>105 A consumable kit | 1 |

| TECHNICAL DATA         |                         |
|------------------------|-------------------------|
| NO HF                  | 105 A                   |
| 1 m                    | 0,5 kg                  |
|                        | 1.1 lb                  |
| V PEAK                 | 500                     |
|                        | min. 4,5 - max. 5,0 bar |
|                        | 250 l/min @ 5 bar       |
|                        | Compressed air          |
| X %                    | 100%                    |
| Max. Clean @ 25cm/min. | 35mm                    |
| Maximum                | 40mm                    |
| Severance              | 50mm                    |
| Pierce                 | 22mm                    |



CONSUMABLES FOR CUTTING (STANDARD)

|   | CODE      |  | Ø             | ↔       | CONSUMABLE KIT CONTENT |   | PCS X |
|---|-----------|--|---------------|---------|------------------------|---|-------|
|   |           |  |               |         | PT2105                 |   |       |
|   |           |  |               |         | 105 A                  |   |       |
| 1 | CV0387P   |  |               | 21,3 mm |                        | • | 1     |
| 2 | PC0370P   |  |               | 34,8 mm |                        | • | 1     |
| 3 | PD0402P15 |  | 1,5 mm 0,059" | 17,5 mm |                        | • | 5     |
| 4 | PE0362P   |  |               | 23 mm   |                        | • | 1     |
| 5 | PR0362P   |  |               | 29,5 mm |                        | • | 5     |

|    | CODE    |  |                                     |   |
|----|---------|--|-------------------------------------|---|
| 6  | FH1716P |  | air tube                            | 2 |
| 7  | EA1920  |  | o-ring                              | 5 |
| 7  | PF1391  |  | torch head                          | 1 |
| 7  | PT0366  |  | microswitch kit                     | 1 |
| 9  | TP0321  |  | protection shell kit for torch head | 1 |
| 10 | TP0322  |  | tube handle with spring support     | 1 |

|    | CODE      |  |  |   |
|----|-----------|--|--|---|
| 11 | PH4172-06 |  | cable assembly - 6 m / 19.7' - 1/4 G - Central adaptor | 1 |
| 11 | PH4172-12 |  | cable assembly - 12m / 39.4' - 1/4 G - Central adaptor | 1 |
| 11 | PH4173-06 |  | cable assembly - 6 m / 19.7' - 1/4 G - Trafimector     | 1 |
| 11 | PH4173-12 |  | cable assembly - 12m / 39.4' - 1/4 G - Trafimector     | 1 |
| 12 | FY0043    |  | plasma central adaptor - 5 pins                        | 1 |
| 12 | FY0090    |  | TRAFIMECTOR® central adaptor - torch side              | 1 |

STANDARD