

PLUSCUT 85 - AUTO

CE EN60974-7



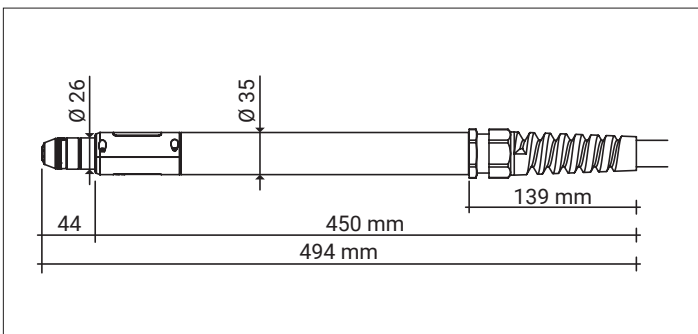
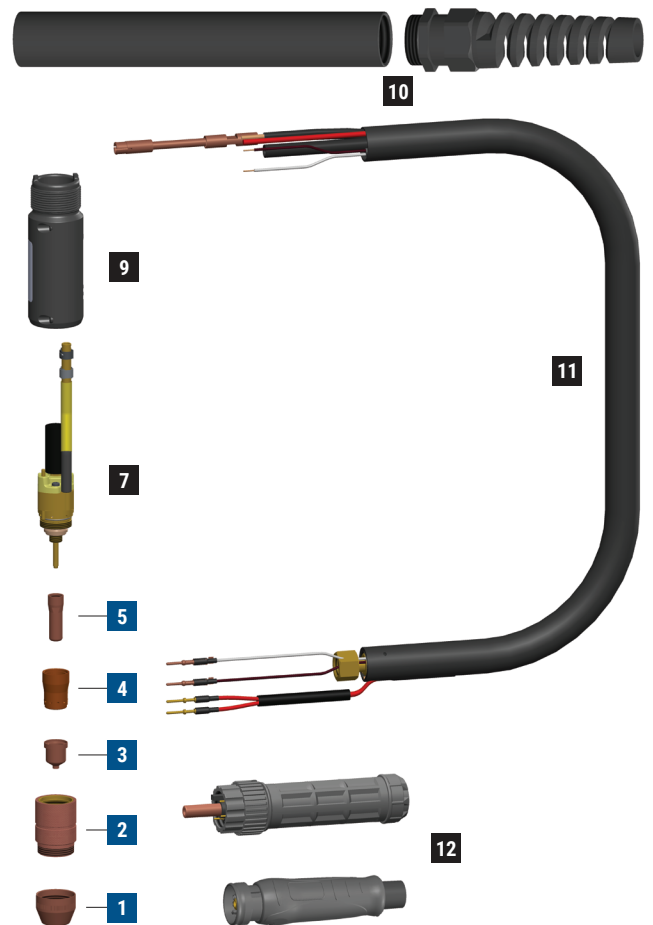
CABLE ASSEMBLY			
CODE	↔		
PAP306P-019-TB3	6 m	19.7'	 CENTRAL 019
PAP312P-019-TB3	12 m	39.4'	
PAP306P-319-TB3	6 m	19.7'	 TRAFIMECTOR 319
PAP312P-319-TB3	12 m	39.4'	

For Central 019 and Trafimector 319 pin connection scheme please see the relevant page.

TECHNICAL DATA			
NO HF	45 A	65 A	85 A
1 m	0,5 kg		
	1.1 lb		
V PEAK	500		
	min. 4,5 - max. 5,0 bar		
	225 l/min @ 5 bar		
	Compressed air		
X %	100%	100%	100%
Max. Clean @ 25cm/min.	10mm	22mm	30mm
Maximum	15mm	26mm	35mm
Severance	20mm	30mm	40mm
Pierce	12mm	16mm	19mm

CONSUMABLE KITS

CODE		
PT2045	45 A consumable kit	1
PT2065	65 A consumable kit	1
PT2085	85 A consumable kit	1



CONSUMABLES FOR CUTTING (STANDARD)

	CODE		Ø	↔	CONSUMABLE KIT CONTENT			PCS X
					PT2045	PT2065	PT2085	
					45 A	65 A	85 A	
1	CV0390P			20,3 mm	•	•	•	1
2	PC0371P			34,8 mm	•	•	•	1
3	PD0403P09		0,95 mm 0,037"	16,6 mm	•			5
3	PD0403P12		1,2 mm 0,047"	16,6 mm		•		5
3	PD0403P13		1,35 mm 0,053"	16,9 mm			•	5
4	PE0363P			23 mm	•	•	•	1
5	PR0362P			29,5 mm	•	•	•	5

	CODE				
6	FH1716P		air tube		2
7	EA1920		o-ring		5
7	PF1391		torch head		1
7	PT0366		microswitch kit		1
9	TP0321		protection shell kit for torch head		1
10	TP0322		tube handle with spring support		1

	CODE				
11	PH4172-06		cable assembly - 6 m / 19.7' - 1/4 G - Central adaptor		1
11	PH4172-12		cable assembly - 12m / 39.4' - 1/4 G - Central adaptor		1
11	PH4173-06		cable assembly - 6 m / 19.7' - 1/4 G - Trafimector		1
11	PH4173-12		cable assembly - 12m / 39.4' - 1/4 G - Trafimector		1
12	FY0043		plasma central adaptor - 5 pins		1
12	FY0090		TRAFIMECTOR® central adaptor - torch side		1

STANDARD