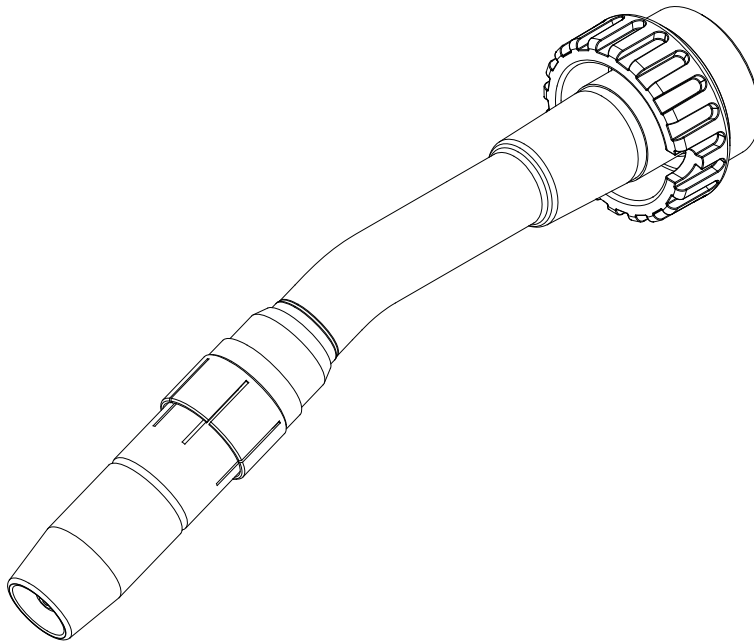


ROBACTA 5000



D Ersatzteilliste
MIG/MAG-Roboter-Rohrbogen

GB Spare Parts List
MIG/MAG Robot torch body

F Liste de pièces de rechange
corps de chalumeau robot
MIG/MAG

I Lista parti di ricambio
curva robot MIG/MA

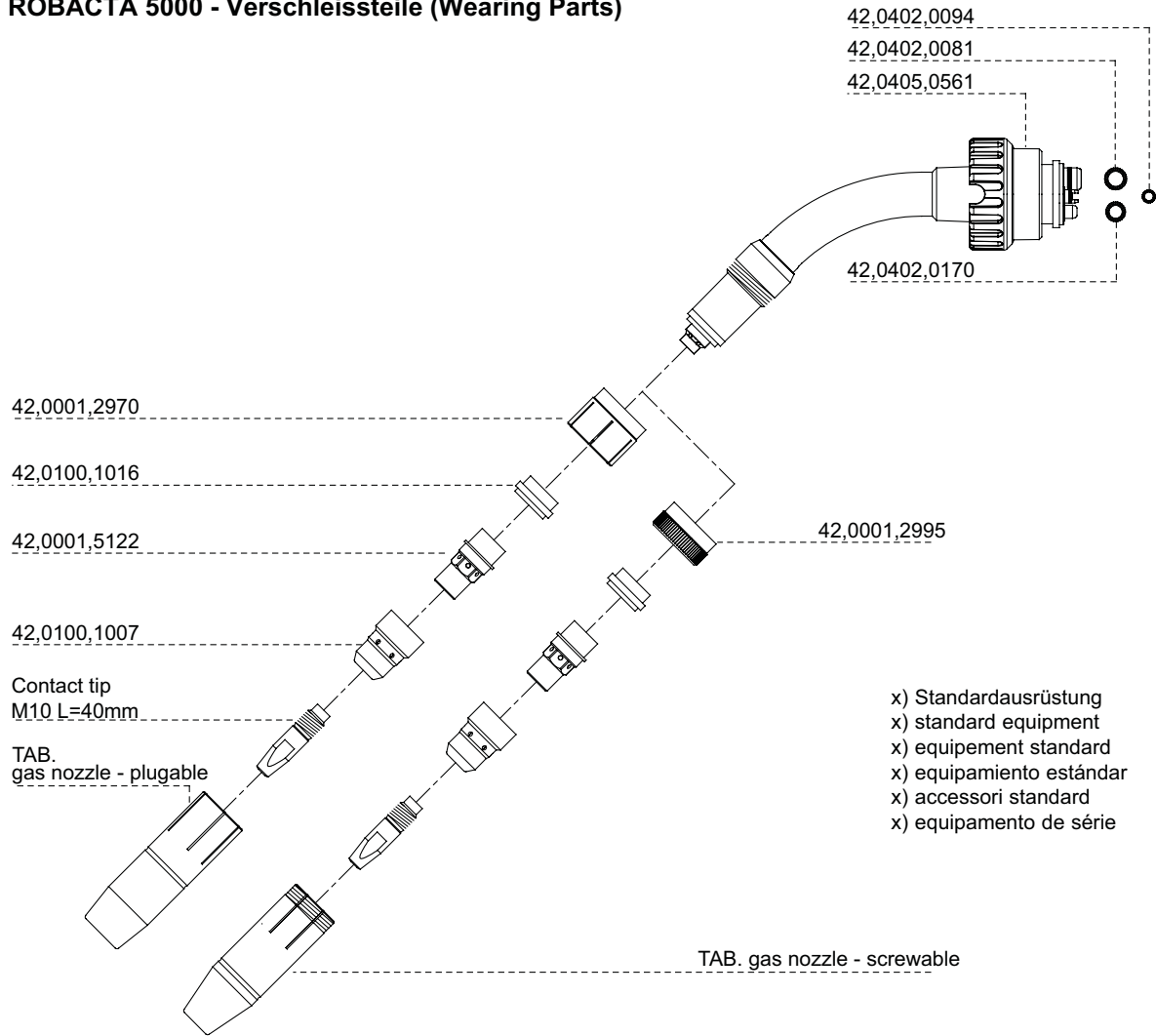
E Lista de repuestos
Codo de tubo para robot
MIG/MAG

P Lista de peças sobresselentes
Queimador de soldadura robot
MIG/MAG

34,0350,1972	Robacta 5000 0°	L=250mm (9.843inch)
34,0350,1973	Robacta 5000 22°	L=241mm (9.488inch) H=50mm (1.969inch)
44,0350,2489	Robacta 5000 22°	L=383mm (15.079inch) H=50mm (1.969inch)
34,0350,1974	Robacta 5000 36°	L=224mm (8.819inch) H=86mm (3.386inch)
44,0350,2490	Robacta 5000 36°	L=366mm (14.409inch) H=86mm (3.386inch)
34,0350,1975	Robacta 5000 45°	L=209mm (8.228inch) H=107mm (4.213inch)
44,0350,2491	Robacta 5000 45°	L=351mm (13.819inch) H=107mm (4.213inch)
34,0350,1972,630	Robacta 5000 0° OVT	L=250 (9.843inch)
34,0350,1973,630	Robacta 5000 22° OVT	L=241mm (9.488inch) H=50mm (1.969inch)
44,0350,2489,630	Robacta 5000 22° OVT	L=383mm (15.079inch) H=50mm (1.969inch)
34,0350,1974,630	Robacta 5000 36° OVT	L=224mm (8.819inch) H=86mm (3.386inch)
44,0350,2490,630	Robacta 5000 36° OVT	L=366mm (14.409inch) H=86mm (3.386inch)
44,0350,2591,630	Robacta 5000 36° S-Type OVT	L=338mm (13.307inch)
34,0350,1975,630	Robacta 5000 45° OVT	L=209mm (8.228inch) H=107mm (4.213inch)
44,0350,2491,630	Robacta 5000 45° OVT	L=351mm (13.819inch) H=107mm (4.213inch)



ROBACTA 5000 - Verschleissteile (Wearing Parts)



- x) Standardausrüstung
- x) standard equipment
- x) équipement standard
- x) equipamiento estándar
- x) accessori standard
- x) equipamento de série

TAB. gas nozzle plugable	d1		d2		d3		L			Part No.
	mm	inch	mm	inch	mm	inch	mm	inch		
	15	.591	25	.984	18	.709	79	3.110	Fe	42,0001,5129
	17	.669	25	.984	20	.787	79	3.110	Fe	42,0001,5128 x)
	17	.669	25	.984	21	.827	79	3.110	Fe	42,0001,5130
	20	.787	25	.984	24	.945	79	3.110	Fe	42,0001,5127
	17,2	.677	25	.984	21,1	.831	85	3.346	Fe	42,0001,5155 TIME

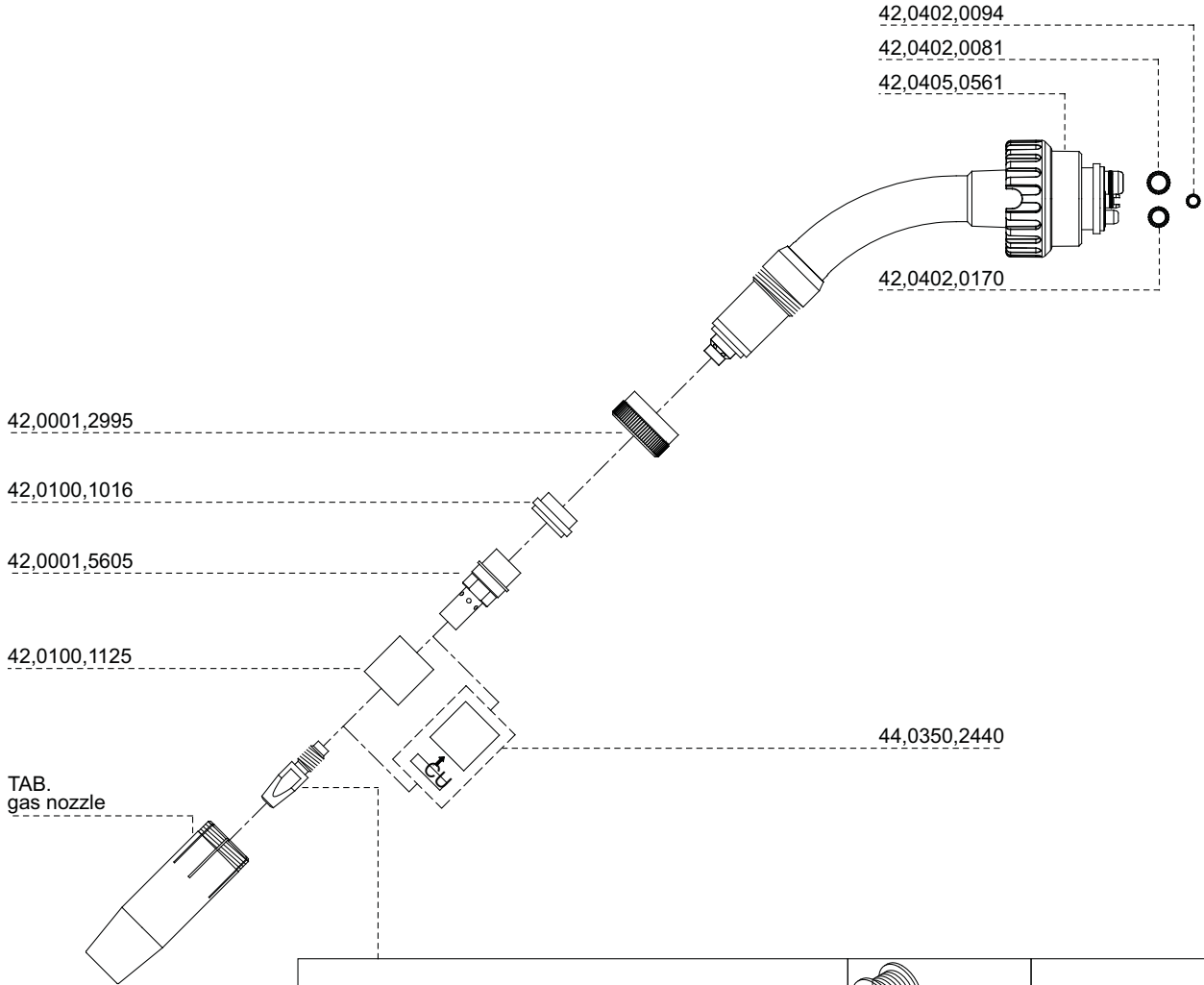
TAB. gas nozzle screwable	d1		d2		d3		L			Part No.
	mm	inch	mm	inch	mm	inch	mm	inch		
	13	.512	25	.984	16,1	.634	77,5	3.051	CrNi,CuSi	42,0001,5576
	15,2	.598	25	.984	18,7	.736	79	3.110	Fe	42,0001,5515
	17,2	.677	25	.984	22,2	.874	79	3.110	Fe	42,0001,5512
	15,2	.598	25	.984	19,7	.776	79	3.110	AlMg, AlSi	42,0001,5675
	13	.512	25	.984	16,1	.634	77,5	3.051	AlMg, AlSi	42,0001,5676

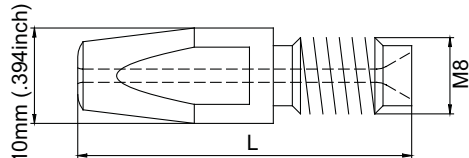
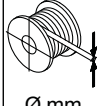


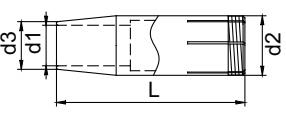
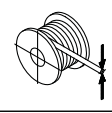
Robacta 5000, Robacta 5000 OVT

Ersatzteilliste / Spare parts list / Listes de pièces de rechange / Lista de repuestos / Lista de peças sobresselentes / Lista dei Ricambi

ROBACTA 5000 - Wearing Parts / H



M8 / CuCrZr / L=35 mm (1.378 inch) 	 Fe		Part No.
	Ø mm	Ø inch	
	0,8	.031	42,0001,3556
	1,0	.039	42,0001,3555
	1,2	.047	42,0001,3554
	1,6	.063	42,0001,3553

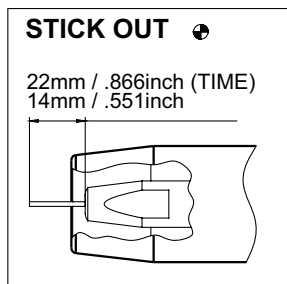
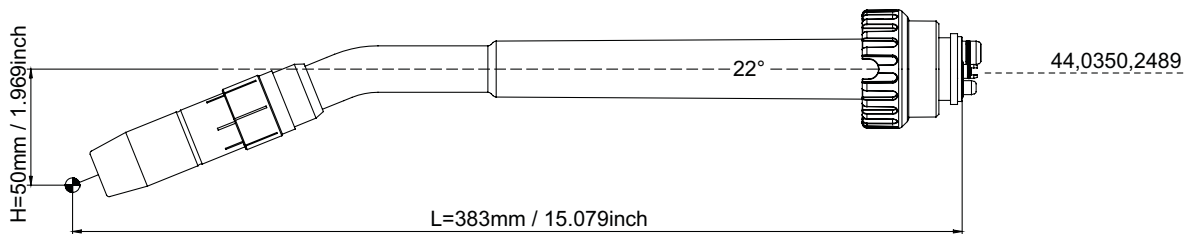
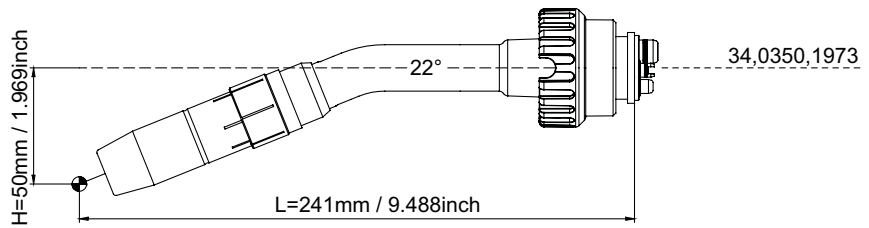
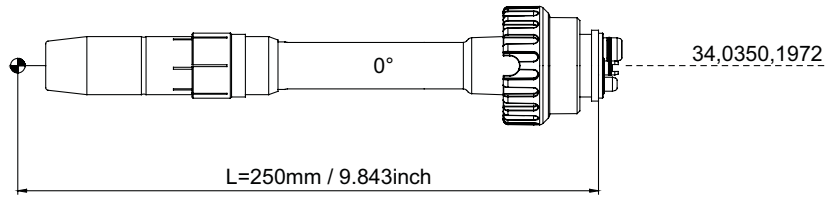
TAB. gas nozzle 	d1		d2		d3		L			Part No.
	mm	inch	mm	inch	mm	inch	mm	inch		
	17	.669	25	.984	20	.787	79	3.110	Fe, CrNi, CuSi AlMg, AlSi	42,0001,5604
	17	.669	25	.984	20	.787	74	2.913	Fe, CrNi, CuSi AlMg, AlSi	42,0001,5620



Robacta 5000, Robacta 5000 OVT

Ersatzteilliste / Spare parts list / Listes de pièces de rechange / Lista de repuestos / Lista de peças sobresselentes / Lista dei Ricambi

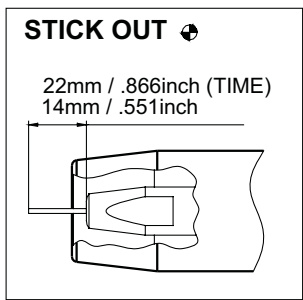
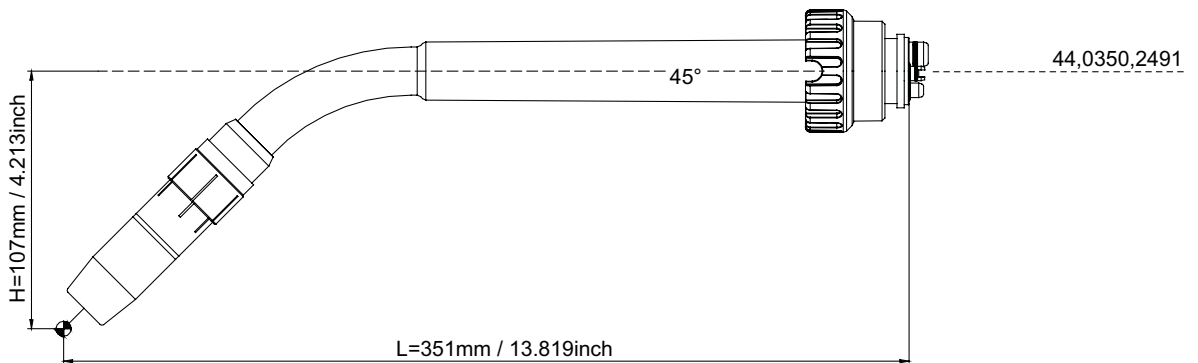
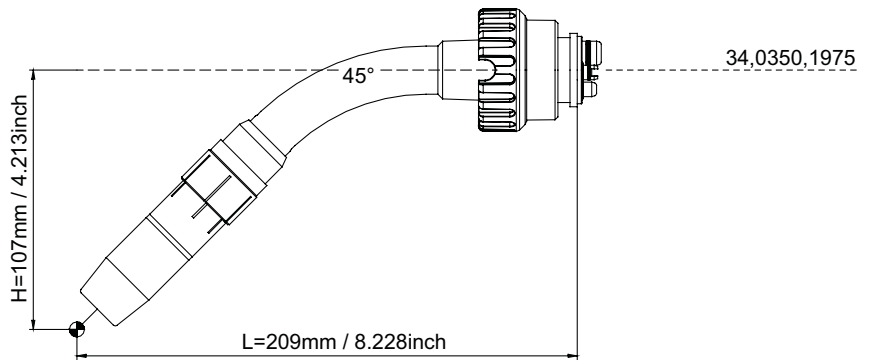
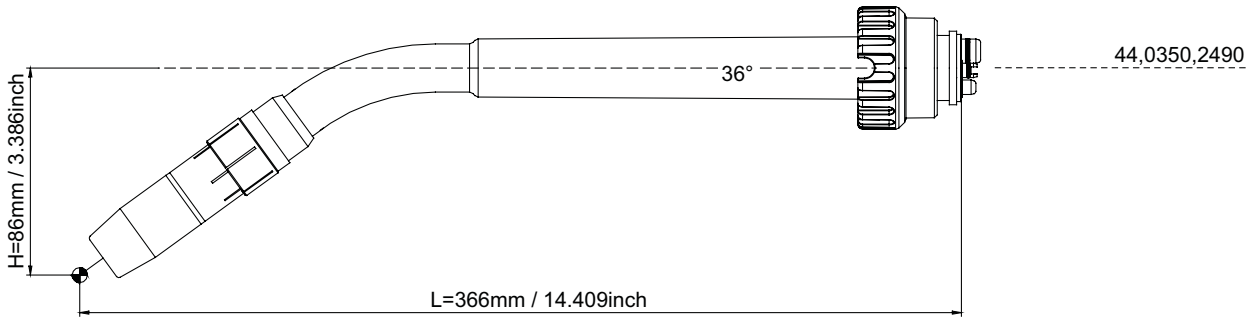
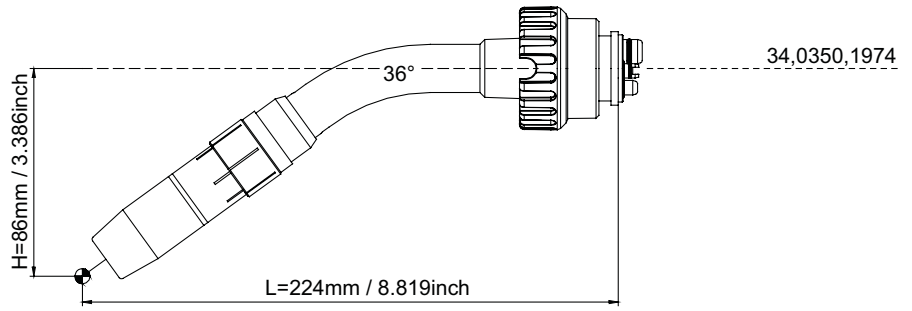
ROBACTA 5000 - Standard



Robacta 5000, Robacta 5000 OVT

Ersatzteilliste / Spare parts list / Listes de pièces de rechange / Lista de repuestos / Lista de peças sobresselentes / Lista dei Ricambi

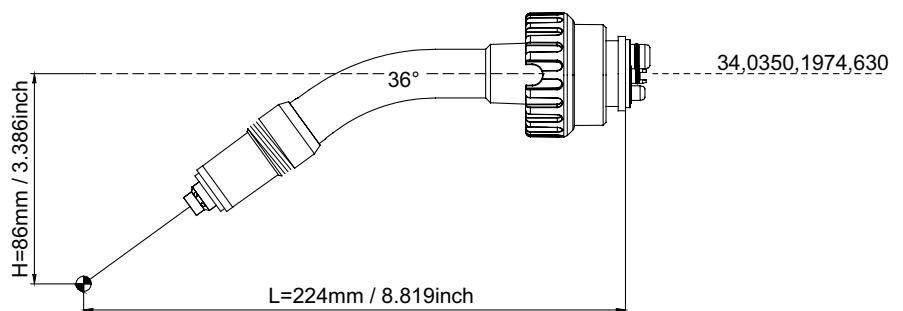
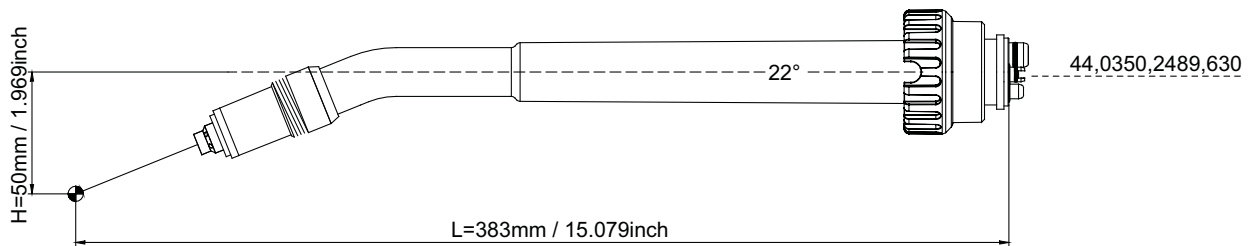
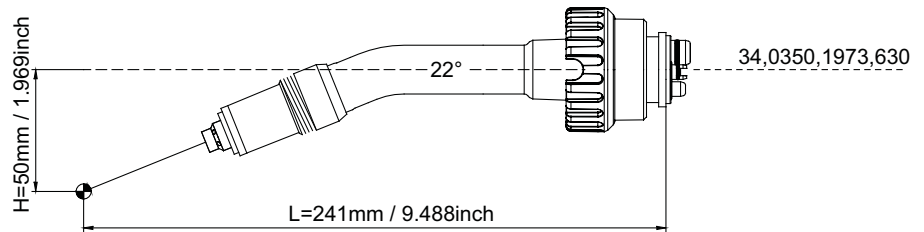
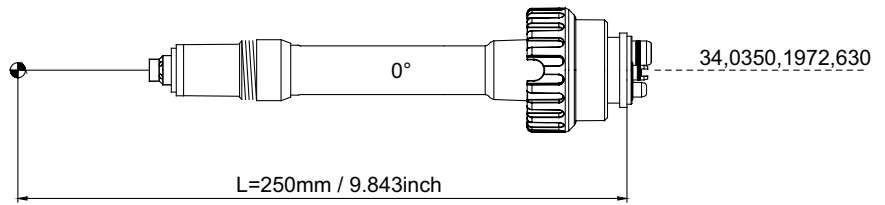
ROBACTA 5000 - Standard



Robacta 5000, Robacta 5000 OVT

Ersatzteilliste / Spare parts list / Listes de pièces de rechange / Lista de repuestos / Lista de peças sobresselentes / Lista dei Ricambi

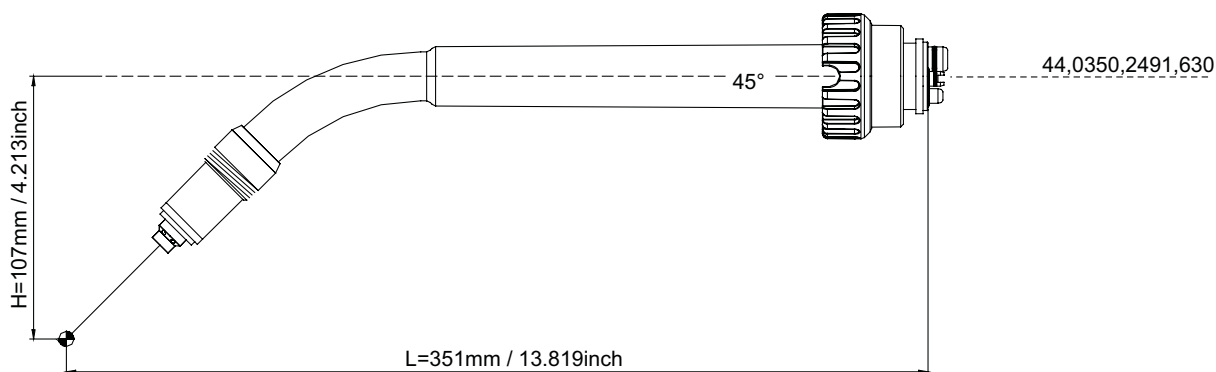
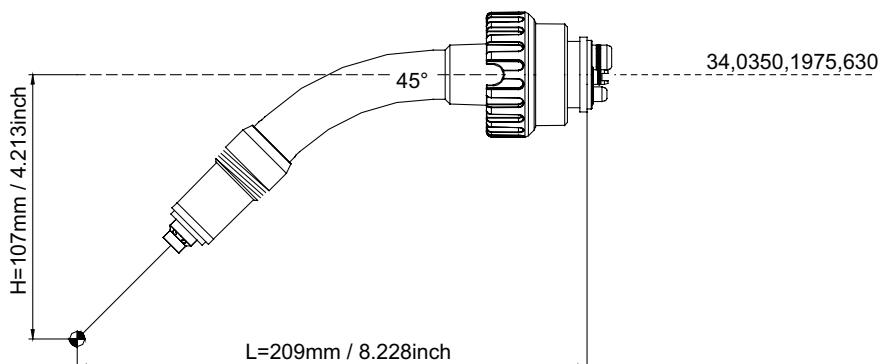
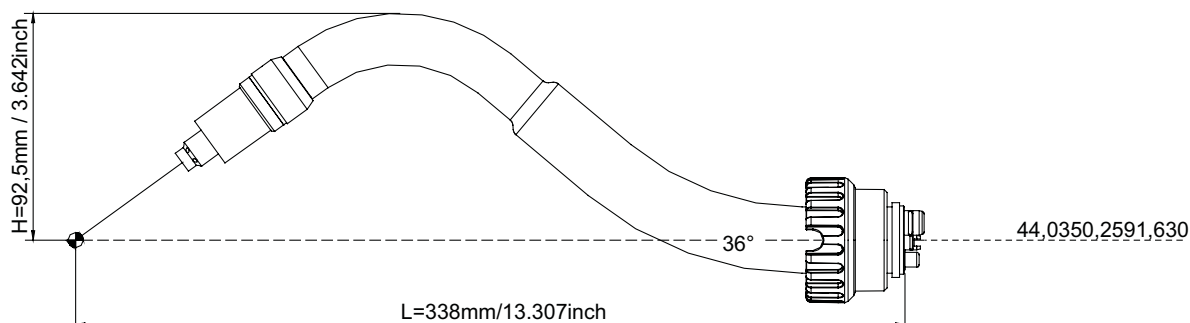
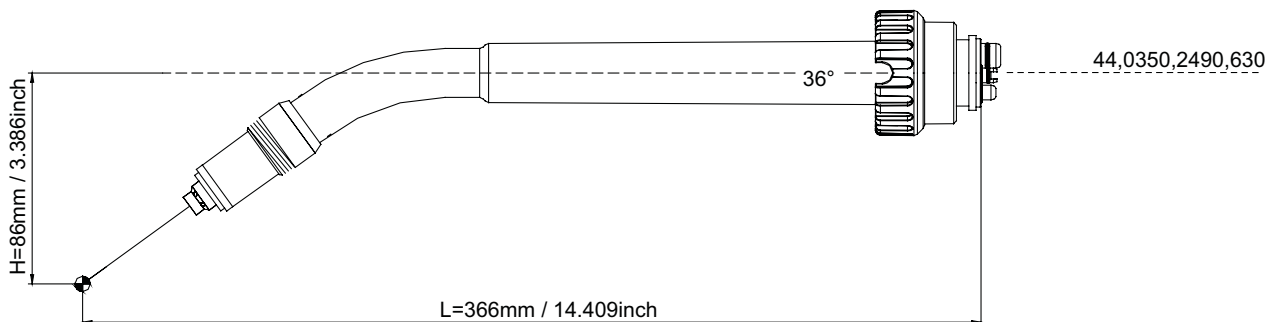
ROBACTA 5000 - OVT Whitout Wearing Parts



Robacta 5000, Robacta 5000 OVT

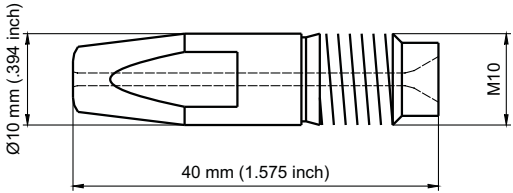
Ersatzteilliste / Spare parts list / Listes de pièces de rechange / Lista de repuestos / Lista de peças sobresselentes / Lista dei Ricambi

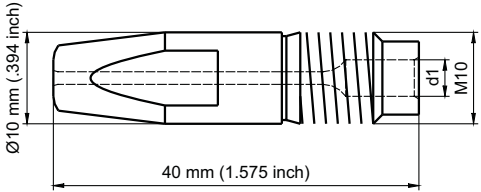
ROBACTA 5000 - OVT Whitout Wearing Parts



Robacta 5000, Robacta 5000 OVT

Ersatzteilliste / Spare parts list / Listes de pièces de rechange / Lista de repuestos / Lista de peças sobresselentes / Lista dei Ricambi

M10 / CuCrZr / L=40 mm (1,575 inch)	Fe CrNi		Part No.
	Ø mm	Ø inch	
	0,8	.031	42,0001,1576
	0,9	.035	42,0001,3277
	1,0	.039	42,0001,1577
	1,2	.047	42,0001,1578
	1,4	.055	42,0001,1930
	1,6	.063	42,0001,1579
	1,8	.071	42,0001,2314
	2,0	.079	42,0001,1662
	2,4	.094	42,0001,1663
	2,8	.110	42,0001,1664
	3,2	.126	42,0001,5413

M10 / CuCrZr / L=40 mm (1,575 inch)	Al CuSi		d1		Part No.
	Ø mm	Ø inch	Ø mm	Ø inch	
	0,9	.035	4,8	.189	42,0001,5405
	1,0	.039	4,1	.161	42,0001,5057
	1,0	.039	4,8	.189	42,0001,5289
	1,2	.047	4,1	.161	42,0001,5058
	1,2	.047	4,6	.181	42,0001,5005
	1,4	.055	4,1	.161	42,0001,5059
	1,6	.063	4,8	.189	42,0001,5060
	1,8	.071	4,8	.189	42,0001,5061

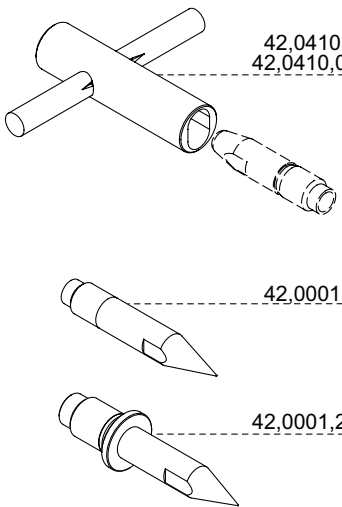


Contact tip M10

Ersatzteilliste / Spare parts list / Listes de pièces de rechange / Lista de repuestos / Lista de peças sobresselentes / Lista dei Ricambi

ZUBEHÖR ROBACTA (ACCESSORY)

Robacta & Robacta Twin

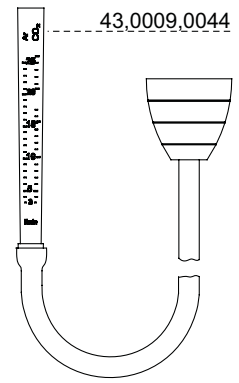


42,0410,0570-M8
42,0410,0138-M10

42,0001,2946-M8

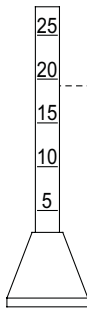
42,0001,2920-M10

Robacta Twin

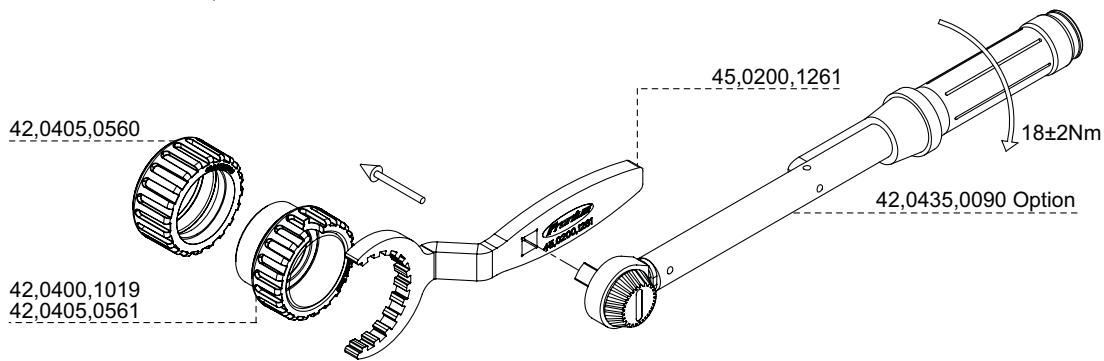


43,0009,0044

Robacta



43,0009,0007



42,0405,0560

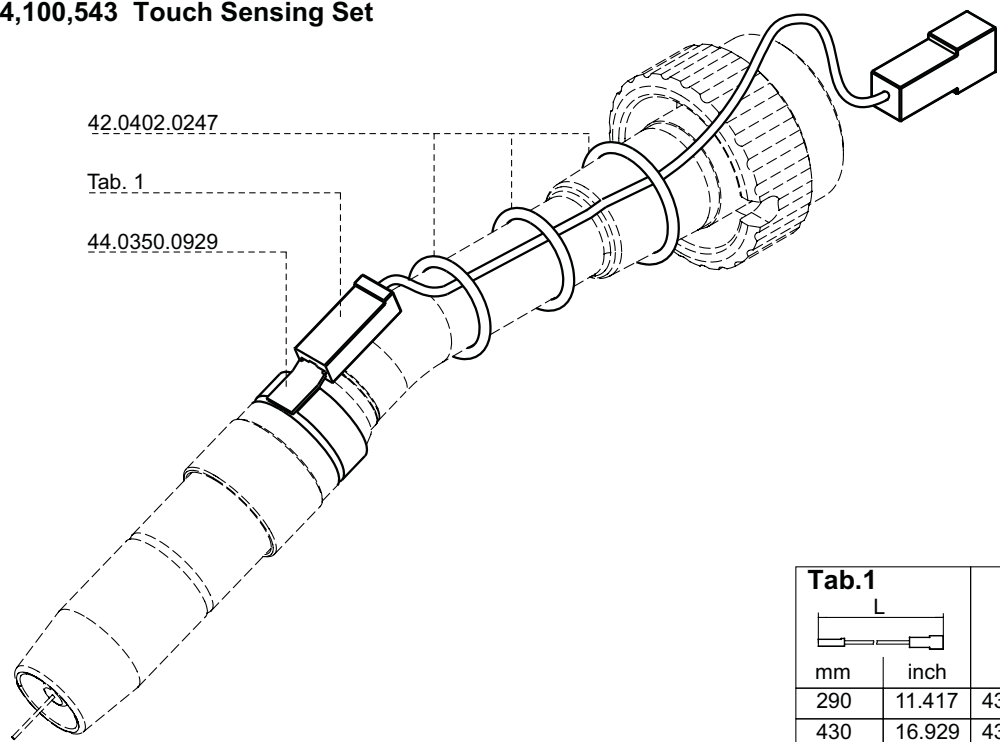
42,0400,1019
42,0405,0561

45,0200,1261

18±2Nm

42,0435,0090 Option

4,100,543 Touch Sensing Set



42,0402,0247

Tab. 1

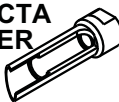


44,0350,0929

L		Part No.
mm	inch	
290	11.417	43.0004.3877
430	16.929	43.0004.3878



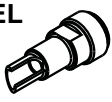
Accessories Robacta

Ersatzteilliste / Spare parts list / Listes de pièces de rechange / Lista de repuestos / Lista de peças sobresselentes / Lista dei Ricambi

Gas nozzle milling tool			ROBACTA REAMER 	
Type	 Ømm	 Øinch	Part No.	
Robacta 280	13	.512	44,0450,1158	+
	15	.591	44,0450,1385	+
Robacta 280 H	13	.512	44,0450,1158	+
	15	.591	44,0450,1159	++
Robacta 2500	10	.394	not possible	-
	12	.472	not available	-
	17	.669	44,0450,1161	+
Robacta 300	11	.433	not available	-
	13	.512	44,0450,1158	+
	15,2	.598	44,0450,1159	++
Robacta 400	11	.433	not available	-
	13	.512	44,0450,1158	+
	15,2	.598	44,0450,1385	+
Robacta 500	17	.669	44,0450,1161	o
	13	.512	not possible	-
	15	.591	44,0450,1160	+
Robacta 5000	17,2	.677	44,0450,1255	++
	13	.512	not possible	-
	15,2	.598	44,0450,1160	+
	17	.669	44,0450,1161	+
	17,2	.677	44,0450,1161	+
20	.787	not available	-	
Robacta 5000H	17	.669	44,0450,1161	++
Robacta 700	17	.669	44,0450,1255	++
Robacta 7000	17,2	.677	44,0450,1161	+

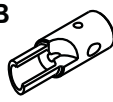
Robacta 900 Twin	14	.551	44,0450,1162	+
	18	.709	44,0450,1163	o
Robacta 900 Twin Compact	18	.709	44,0450,1163	o

Robacta MTG 2500	13	.512	44,0450,1158	+
	15	.591	44,0450,1159	++
Robacta MTG 3200	15	.591	44,0450,1385	+
Robacta MTG 4000	15	.591	44,0450,1160	+
	17	.669	44,0450,1255	++

BINZEL 	
Part No.	
42,0001,5020	+
42,0001,5019	o
42,0001,5020	+
42,0001,3585	+
not possible	-
not available	-
42,0001,2996	o
not available	-
42,0001,5020	+
42,0001,3585	++
42,0001,3585	++
not available	-
42,0001,5020	+
42,0001,5019	o
42,0001,2996	o
not possible	-
42,0001,5019	+
42,0001,5545	++
not possible	-
42,0001,5019	+
42,0001,2996	+
not available	-
42,0001,2996	+
42,0001,5545	++
42,0001,5545	o

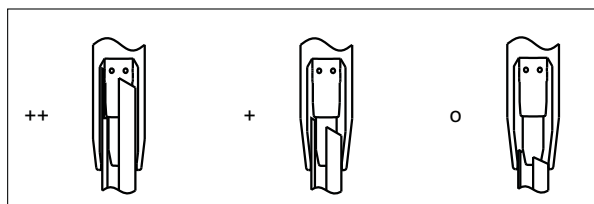
not possible	-
not possible	-
not possible	-

42,0001,5020	+
42,0001,3585	++
42,0001,5019	o
42,0001,5019	+
42,0001,5545	++

ABB 	
Part No.	
42,0001,5315	+
42,0001,5317	o
42,0001,5315	+
42,0001,5317	++
not possible	-
42,0001,5316	o
42,0001,5314	o
42,0001,5316	o
42,0001,5315	+
42,0001,5317	++
42,0001,5317	++
42,0001,5316	o
42,0001,5315	+
42,0001,5317	o
42,0001,5314	o
not possible	-
42,0001,5317	o
42,0001,5314	++
not possible	-
42,0001,5314	+
42,0001,5314	o
not available	-
42,0001,5314	+
42,0001,5314	++
42,0001,5314	o

not possible	-
not possible	-
not possible	-

42,0001,5315	+
42,0001,5317	++
42,0001,5317	o
42,0001,5317	o
42,0001,5314	++



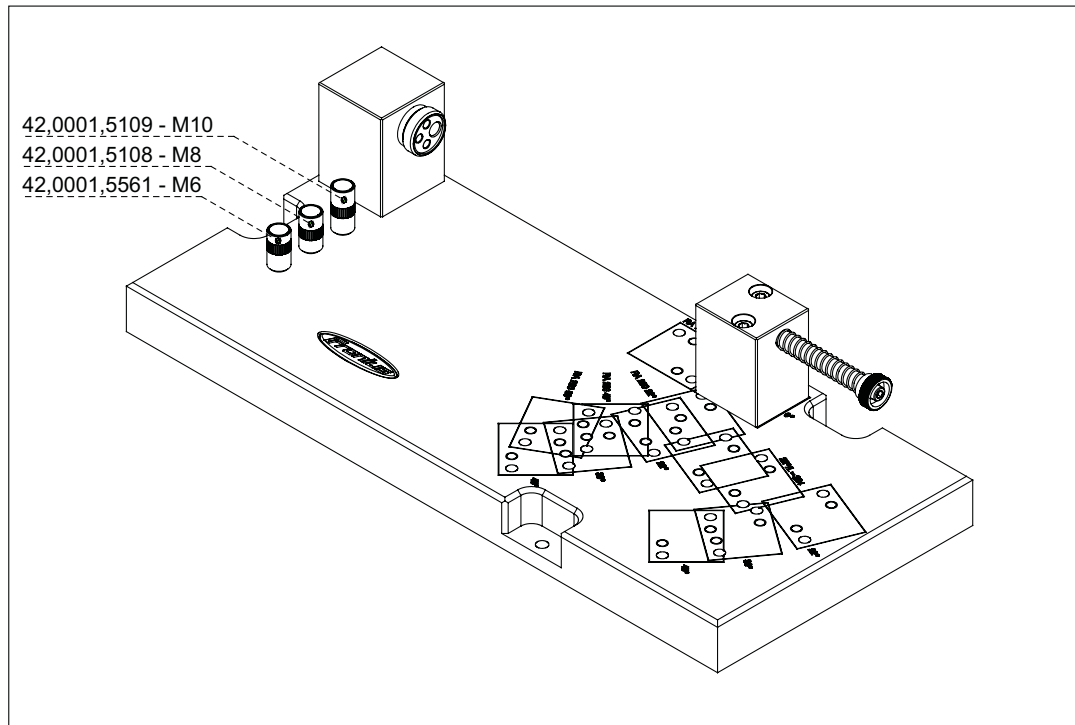
Gas nozzle milling tool



Gas nozzle milling tool

Ersatzteilliste / Spare parts list / Listes de pièces de rechange / Lista de repuestos / Lista de peças sobresselentes / Lista dei Ricambi

Examination device Robacta long



44,0360,0063

Been suitable for this Robacta types:

Type	Degree	Length	
		mm	inch
Robacta 160	0°	224,5	8,839
	22°	218,5	4,240
	45°	212,5	1,575
Robacta 280	0°	250	9,843
	22°	246	9,685
	45°	228,5	8,996
	60°	212,5	8,366
Robacta 300 Robacta 400	0°	250	9,843
	22°	241	9,488
	22°	324	12,756
	22°	382	15,039
	36°	224	8,819
Robacta 500	45°	209	8,228
	0°	250	9,843
	22°	241	9,488
	22°	383	15,079
	36°	224	8,819
Robacta 700 Robacta 7000	36°	366	14,409
	45°	209	8,228
	45°	351	13,819
	0°	187,5	7,382
	0°	250	9,843
	0° (Time)	258	10,157
	22°	241	9,488
36° (Time)	224	8,819	
	230,5	9,075	
	209	8,228	
Robacta 2500	22°	241	9,488
	36°	224	8,819
	45°	209	8,228
Robacta 5000	0°	250	9,843
	22°	241	9,488
	22°	383	15,079
	36°	224	8,819
	36°	366	14,409
	45°	209	8,228
	45°	351	13,819

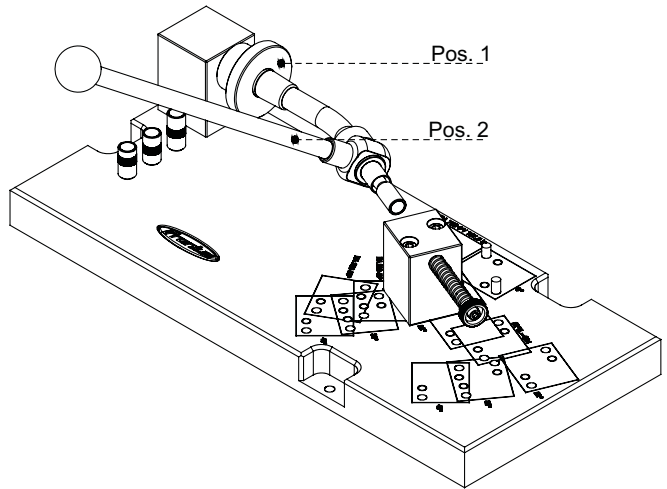
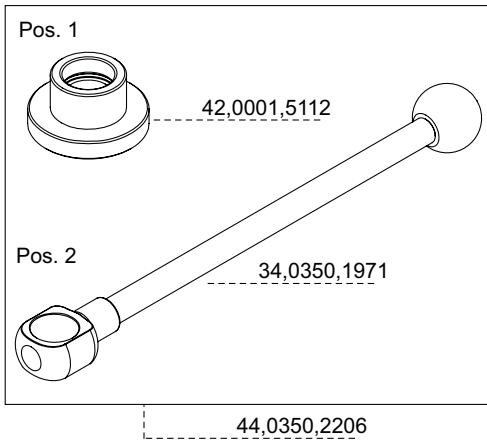


Examination device Robacta long

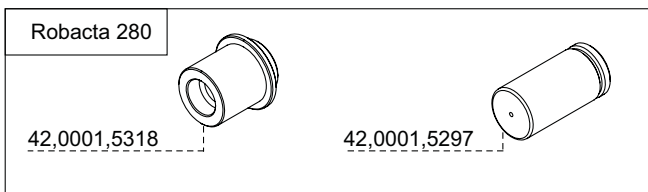
Ersatzteilliste / Spare parts list / Listes de pièces de rechange / Lista de repuestos / Lista de peças sobresselentes / Lista dei Ricambi

1 / 1

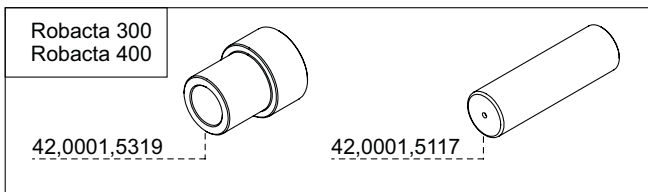
Correcting device Robacta (Basic Kit)



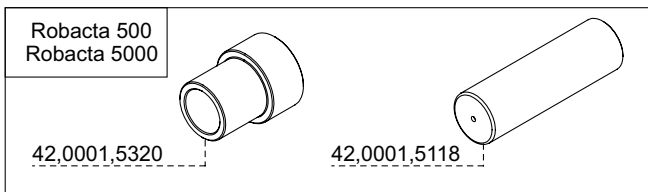
Correcting Set's



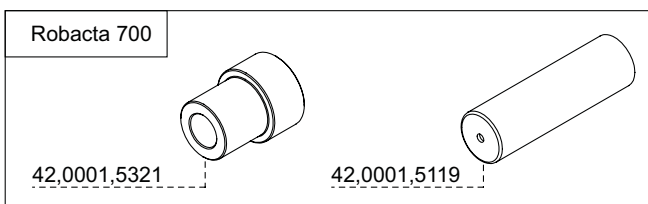
44,0350,1963 - Set



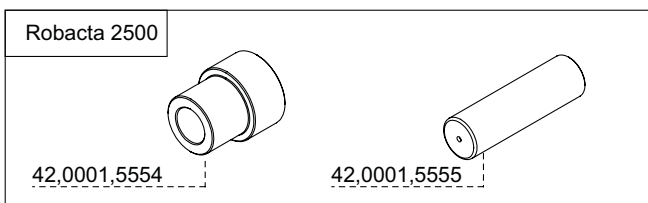
44,0350,1646 - Set



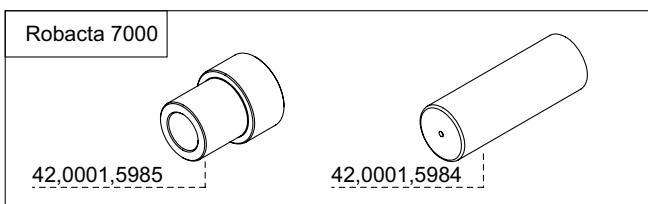
44,0350,1647 - Set



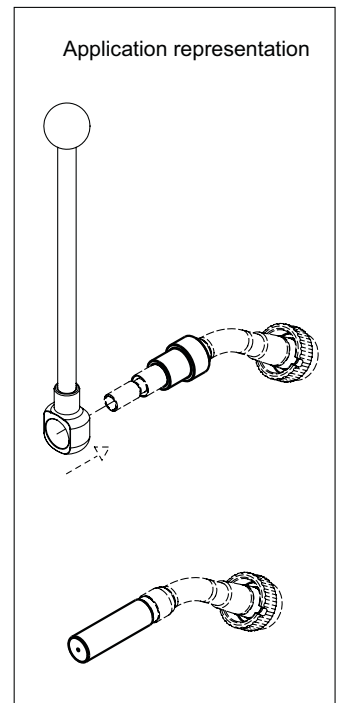
44,0350,1648 - Set



44,0350,2223 - Set



44,0350,2630 - Set



Robacta adjusting device

Ersatzteilliste / Spare parts list / Listes de pièces de rechange / Lista de repuestos / Lista de peças sobresselentes / Lista dei Ricambi

Fronius Worldwide - www.fronius.com/addresses

A **FRONIUS International GmbH**
4600 Wels, Buxbaumstraße 2
Tel: +43 (0)7242 241-0
Fax: +43 (0)7242 241-3940
E-Mail: sales@fronius.com
<http://www.fronius.com>

4600 Wels, Buxbaumstraße 2
Tel: +43 (0)7242 241-0
Fax: +43 (0)7242 241-3940
Service: DW 3070, 3400
Ersatzteile: DW 3390
E-Mail: sales.austria@fronius.com

6020 Innsbruck, Amraserstraße 56
Tel: +43 (0)512 343275-0
Fax: +43 (0)512 343275-725

5020 Salzburg, Lieferinger Hauptstr. 128
Tel: +43 (0)662 430763
Fax: +43 (0)662 430763-16

1100 Wien, Daumegasse 7,
Team Süd / Ost
Tel: +43 (0)1/600 41 02-7410
Fax: +43 (0)1/600 41 02-7490

Team Nord / West
Tel: +43 (0)1/600 41 02-7050
Fax: +43 (0)1/600 41 02-7160

Haberkorn Ulmer GmbH
6961 Wolfurt, Hohe Brücke
Tel: +43 (0)5574 695-0
Fax: +43 (0)5574 2139
<http://www.haberkorn.com>

Wilhelm Zultner & Co.
8042 Graz, Schmiedstraße 7
Tel: +43 (0)316 6095-0
Fax: +43 (0)316 6095-80
Service: DW 325, Ersatzteile: DW 335
E-Mail: vkmm@zultner.at

Wilhelm Zultner & Co.
9020 Klagenfurt, Fallegasse 3
Tel: +43 (0)463 382121-0
Fax: +43 (0)463 382121-40
Service: DW 430, Ersatzteile: DW 431
E-Mail: vkkm@zultner.at

BR **FRONIUS do Brasil LTDA**
Av. Senador Vergueiro, 3260
Vila Tereza, Sao Bernado do Campo - SP
CEP 09600-000, SÃO PAULO
Tel: +55 (0)11 4368-3355
Fax: +55 (0)11 4177-3660
E-Mail: sales.brazil@fronius.com

CH **FRONIUS Schweiz AG**
8153 Rümlang, Oberglatterstraße 11
Tel: +41 (0)1817 9944
Fax: +41 (0)1817 9955
E-Mail: sales.switzerland@fronius.com

CZ **FRONIUS Česká republika s.r.o.**
381 01 ČESKÝ KRUMLOV, Tovární 170
Tel: +420 380 705 111
Fax: +420 380 711 284
E-Mail: sales.c.krumlov@fronius.com

100 00 PRAHA 10, V Olšínách 1022/42
Tel.: +420 272 111 011, 272 742 369
Fax: +420 272 738 145
E-Mail: sales.praha@fronius.com

315 00 PLZEŇ-Božkov, Letkovská 38
Tel: +420 377 183 411
Fax: +420 377 183 419
E-Mail: sales.plzen@fronius.com

500 04 HRADEC KRÁLOVÉ,
Pražská 293/12
Tel.: +420 495 070 011
Fax: +420 495 070 019
E-Mail: sales.h.kralove@fronius.com

CZ 586 01 JIHLAVA, Brněnská 65
Tel: +420 567 584 911
Fax: +420 567 305 978
E-Mail: sales.jihlava@fronius.com

709 00 OSTRAVA - Mariánské Hory,
Kollárova 3
Tel: +420 595 693 811
Fax: +420 596 617 223
E-Mail: sales.ostrava@fronius.com

760 01 ZLÍN
ul. Malá (za Čerp. st. ARAL)
Tel: +420 577 311 011
Fax: +420 577 311 019
E-Mail: sales.zlin@fronius.com

D **FRONIUS Deutschland GmbH**
36119 Neuhof-Dorfborn bei Fulda,
Am Stockgraben 3
Tel: +49 (0)6655 91694-0
Fax: +49 (0)6655 91694-10
E-Mail: sales.germany@fronius.com

90530 Wendelstein,
Wilhelm-Maisel-Straße 32
Tel: +49 (0)9129 2855-0
Fax: +49 (0)9129 2855-32

51149 Köln, Gremberghoven,
Welsersstraße 10 b
Tel: +49 (0)2203 97701-0
Fax: +49 (0)2203 97701-10

57052 Siegen, Alcher Straße 51
Tel: +49 (0)271 37515-0
Fax: +49 (0)271 37515-15

38640 Goslar, Im Schleeke 108
Tel: +49 (0)5321 3413-0
Fax: +49 (0)5321 3413-31

10365 Berlin, Josef-Orlopp-Str. 92-106
Tel: +49 (0)30 557745-0
Fax: +49 (0)30 557745-51

21493 Talkau, Dorfstraße 4
Tel: +49 (0)4156 8120-0
Fax: +49 (0)4156 8120-20

70771 Leinfelden-Echterdingen
(Stuttgart),
Kolumbus-Straße 47
Tel: +49 (0)711 782852-0
Fax: +49 (0)711 782852-10

04328 Leipzig, Riesaer Straße 72-74
Tel: +49 (0)341 27117-0
Fax: +49 (0)341 27117-10

01723 Kesselsdorf (Dresden),
Zum alten Dessauer 13
Tel: +49 (0)35204 7899-0
Fax: +49 (0)35204 7899-10

67753 Hefersweiler, Sonnenstraße 2
Tel: +49 (0)6363 993070
Fax: +49 (0)6363 993072

18059 Rostock, Erich Schlesinger Str. 50
Tel: +49 (0)381 4445802
Fax: +49 (0)381 4445803

81379 München, Gmunder Straße 37a
Tel: +49 (0)89 748476-0
Fax: +49 (0)89 748476-10

83308 Trostberg, Pechleraustraße 7
Tel: +49 (0)8621 8065-0
Fax: +49 (0)8621 8065-10

94491 Hengersberg, Donaustraße 31
Tel: +49 (0)9901 2008-0
Fax: +49 (0)9901 2008-10

F **FRONIUS France SARL**
60306 SENLIS CEDEX,
13 avenue Félix Louat - B.P.195
Tél: +33 (0)3 44 63 80 00
Fax: +33 (0)3 44 63 80 01
E-Mail: sales.france@fronius.com

N **FRONIUS Norge AS**
3056 Solbergelva, P.O. BOX 32
Tel: +47 (0)32 232080,
Fax: +47 (0)32 232081
E-Mail: sales.norway@fronius.com

SK **FRONIUS Slovensko s.r.o.**
917 01 Trnava, Nitrianská 5
Tel: +421 (0)33 590 7511
Fax: +421 (0)33 590 7599
E-Mail: sales.slovakia@fronius.com

974 03 Banská Bystrica,
Zvolenská cesta 14
Tel: +421 (0)48 472 0611
Fax: +421 (0)48 472 0699
E-Mail: sales.b.bystrica@fronius.com

UA **FRONIUS Ukraine GmbH**
07455 Ukraine, Kiwskaya OBL...,
S. Knjashitschi, Browarskogo R-NA
Tel: +38 044 94-62768
+38 044 94-54170
Fax: +38 044 94-62767
E-Mail: sales.ukraine@fronius.com

USA **FRONIUS USA LLC**
10421 Citation Drive,
Brighton, Michigan 48116
Tel: +1(0) 810 220-4414
Fax: +1(0) 810 220-4424
E-Mail: sales.usa@fronius.com