

CEPRO WELDING TENT CUBE MODEL



CREPIM
Société par Actions Simplifiée -792 178 816 R.C.S. ARRAS
Siege social : Parc de la Porte Nord - rue Christophe Colomb.
62700 BRUAY LA BUISSIÈRE France
Tél.: 03.21.61.64.00 Fax : 03.21.61.64.01
E-mail : contact@crepim.fr www.crepim.fr
SIRET 792 178 816 00015 / APE 7112B / T.V.A. FR85 792 178 816

PROCES-VERBAL DE CLASSEMENT DE REACTION AU FEU D'UN MATERIAU

Valable 5 ans à compter du 23/04/2020

Selon l'arrêté du 21 novembre 2002 relatif à la réaction au feu des produits de construction et d'aménagement
Laboratoire agréé du Ministère de l'Intérieur (arrêté du 23/03/2010 modifiant l'arrêté du 05/02/1959 modifié)

Procès-verbal n° DO-20-1730\A-R1

Matériau présenté par: CEPRO
217 Blvd de la Liberté
59800 Lille
France

Référence commerciale: CEPRO PVC TARPAULIN

Description sommaire : Tissu polyester enduit PVC
Mode de fixation : Sans fixation
Substrat : Sans substrat
Application : Bâtiment Français
Epaisseur nominale totale : 0.5 mm (déclarée par le client).
Masse volumique : 1120 kg/m³ (déclarée par le client).
Masse surfacique : 0.56 kg/m² (déclarée par le client).
Coloris présenté : Blanc.

Nature de l'essai : NF P 92-503 - Essai à la bougie électrique
Référence du rapport d'essai : DO-20-1730\A-R1 du 23/04/2020

Classement :

M2

Durabilité du classement : Non limitée à priori

Compte tenu des critères résultants des essais décrits dans le rapport annexé.

Ce procès-verbal atteste uniquement des caractéristiques de l'échantillon soumis aux essais et ne préjuge pas des caractéristiques de produits similaires. Il ne constitue donc pas une certification de produits au sens de l'article L. 115-27 du code de la consommation et de la loi du 3 juin 1994.

Valable pour toute application pour laquelle le produit n'est pas soumis au marquage CE

Valable sur la face d'usage pour toute application non couverte par l'article AM18 du règlement ERP concernant les sièges rembourrés »

A Bruay-la-Buissière, le 23/04/2020

Signé

Signature de la personne ayant réalisé le classement

Approuvé

Signature de la personne autorisant le présent rapport

Thomas TURF
Ingénieur praticien

Pour ordre, suppléant du président Franck POUTCH
Skander KHELIFI
Responsable technique

Pour déclarer, ou non, la conformité à la spécification, il n'a pas été tenu explicitement compte de l'incertitude associée au résultat
Whether or not to declare compliance with the specification, the uncertainty associated with the result was not explicitly taken into account
La reproduction de ce rapport d'essai n'est autorisée que sous sa forme intégrale
Reproduction of this test report is only permitted in its full form
Le CREPIM ne peut être tenu responsable des informations relatives à l'élément testé. Ces informations sont fournies par le demandeur.
CREPIM cannot be held responsible for information relating to the tested element. This information is provided by the applicant

CEPRO WELDING TENT CUBE MODEL

1. PRODUCT AND COMPANY IDENTIFICATION

Product trade name: Cepro PVC tarpaulin - basic material Cepro welding tent
PVC-coated Polyester Fabric

Company's name: Cepro International BV

Address: Parallelweg 38 - 40
5121 LD Rijen - The Netherlands

Tel. no. for information / emergency +31 (0)161 22 64 72

Fax no. for information / emergency +31 (0)161 22 49 73

2. INGREDIENTS /IDENTITY INFORMATION

Chemical characterisation: woven polyester fabric coated with plasticized polyvinylchloride

Composition:

Amount

Polyethyleneterephthalate:	20-80%	-
polyvinylchloride :	10-40%	CAS nr: 9002-86-2
di-isononylphtalate (DINP):	5-40%	CAS nr: 68515-48-0
antimony trioxide:	2-10%	CAS nr: 03109-64-4
inert fillers:	0-30 %	-

3. HAZARDS IDENTIFICATION

The material is not hazardous for man and environment whenever used under normal conditions.
The material contains antimonytrioxide which has been reported to cause vomiting and diarrhea

4. FIRST AID MEASURES

effects:

route of entry: inhalation: not applicable
route of entry: skin: Continuous contact may cause irritation
route of entry: ingestion: seek medical attention immediately
route of entry: eye: possible irritation due to mechanical effect

acute and chronic health hazards: No TLV exists for PVC coated fabrics

first aid:

inhalation: not applicable
skin: wear gloves when long-term exposure
ingestion: - free the respiratory channel
- obtain medical attention whenever ingestion of large quantities.

Eye: - obtain medical attention whenever irritation is significant

CEPRO WELDING TENT CUBE MODEL

5. FIRE FIGHTING

flash point: not applicable
explosion limits: not applicable
extinguishing media: CO₂, dry chemical, water or other agents as appropriate for materials in the surrounding fire.

Special risks: decomposition in the burning flame may result in the formation of HCl (hydrogenchloride), CO (carbonmonoxide), CO₂ (carbondioxide), and antimony compounds

Protective measures during fire fighting:

- only well trained persons, informed about the hazards of the product should be engaged in fighting the fire.
- Wear suitable protection whenever approaching the fire or in confined places. Self contained breathing apparatus should be worn.
- Wear protective clothes, resistant to chemicals. Exposure to the fumes should be avoided in any case.
- After the fire, clean protective clothes. The surroundings should be aerated and cleaned thoroughly before re-entry.

6. ACCIDENTAL RELEASE

not applicable

7. HANDLING AND STORAGE

handling: no special precautions are to be taken for personal protection

storage: avoid temperatures above 70°C in order to eliminate slow degradation.

Other precautions:

- Avoid overheating the product in order to eliminate degradation (see topic 9). Upon fusion of the material use sufficient ventilation to eliminate inhalation of possible fumes.
- Eliminate contact with fire
- Respect the regulations concerning personal protection.(see topic 8)

8. EXPOSURE CONTROLS AND PERSONAL PROTECTION

technical measures:

follow the measures for safe handling and storage (topic 7)

steps if material released or spilled: not applicable

waste disposal method: disposal must be in accordance with federal, state and local regulations. An approved method of solid waste disposal should be used.

Precautions in handling:

fusion or welding should be done under sufficient ventilation.

Avoid overheating the product in order to eliminate degradation (see topic 9).

TGG alkylphthalate: 5mg/m³ based upon ACGIH TLV recommendation for di-sec-octyl phthalate.

When machining the coated fabric dry, a dusty condition may result. A suitable dust collection system should be employed and an approved dust mask for respiratory protection.

At decomposition:

take the necessary protective measures in order to avoid contact with the fumes, either skin, eye or inhalation. Prevent inhalation and protect the eyes by the use of a protective facemask with a filter class B-P2. Only use inhalation protection, which is conform the international and national rules.

CEPRO WELDING TENT CUBE MODEL

9. PHYSICAL AND CHEMICAL PROPERTIES

appearance: fabric sheet coated with a plastic
smell: none

phase transitions:

melting point: not applicable
boiling point: not applicable
softening: excessive softening occurs from 70°C onwards
evaporation rate: not applicable
vapour pressure: not applicable

flash point : not applicable
ignition temperature: > 350°C

density: 1.3-1.4 g/cm³
vapour density: not applicable

solubility:

insoluble in water
partly soluble in :

ketones
dimethylsulfoxide
tetrahydrofurane
methylhydrofurane

pH: not applicable

viscosity: not applicable

decomposition temperature:

>120°C (long exposure >3hrs)
>250°C: (short exposure)

oxidising properties: not applicable

10. STABILITY AND REACTIVITY

stability:

the product is stable under the normal conditions of use.

Conditions to avoid: when heated to decomposition (see section 9) / combustion temperatures products of decomposition including CO, CO₂, HCl , antimony compounds and other volatiles are released.

Materials to avoid: none.

Remark: material dissolves in some organic solvents (see item 9)

11. TOXICOLOGICAL INFORMATION

No TLV exists for PVC coated fabrics. The hazards associated with the product are related to the individual constituents.

Directive 67/548/EEC:15th adaptation: antimony trioxide is classified as a class 3 carcinogen

CEPRO WELDING TENT CUBE MODEL**12. ENVIRONMENTAL INFORMATION**

the material is biological inert and non degradable.

13. DISPOSAL CONSIDERATIONS

waste treatment:

disposal of the coated fabric should be according to the local, federal, national and international regulations. Either landfill or incineration is possible if according to the above regulations.

14. TRANSPORTATION INFORMATION

not applicable

15. REGULATORY INFORMATION

not applicable

16. MISCELLANEOUS

The actual product information is based upon our actual product knowledge and experience and is not limiting. The information of the product is based on the properties of the product as specified in the product technical data sheet. Whenever a product is combined or mixed with other substances one should be aware of the fact that this could include new risks.

The user, in using or working with the product, should keep him to the legislation, hygiene and safety regulations. In this way, this MSDS does not have any effect on these regulatory obligations.

CEPRO WELDING TENT CUBE MODEL

TECHNICAL DATA FABRIC WELDING TENT

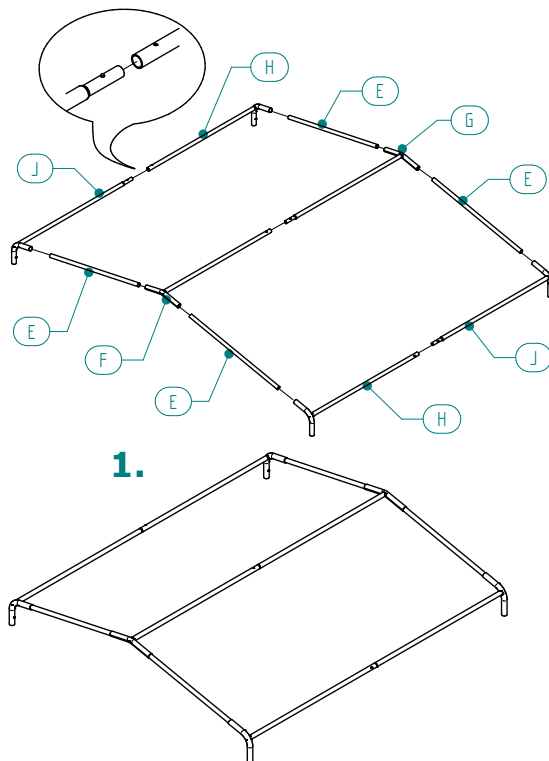
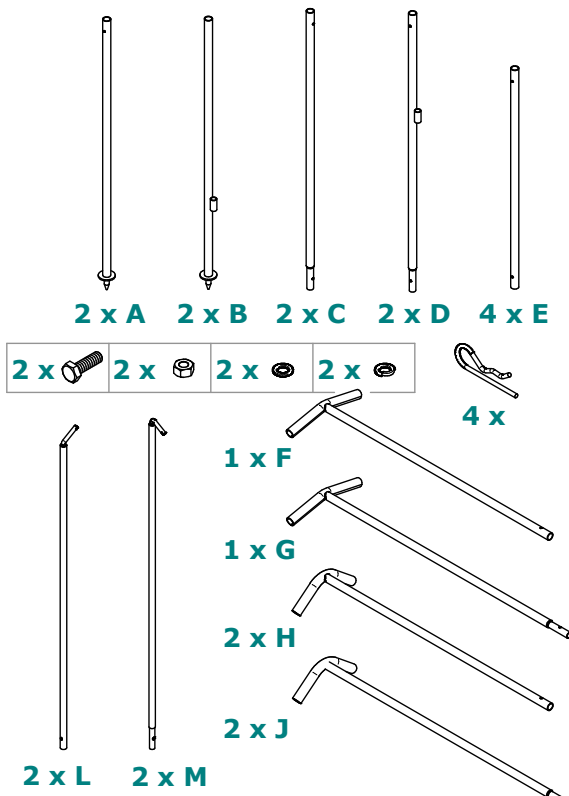
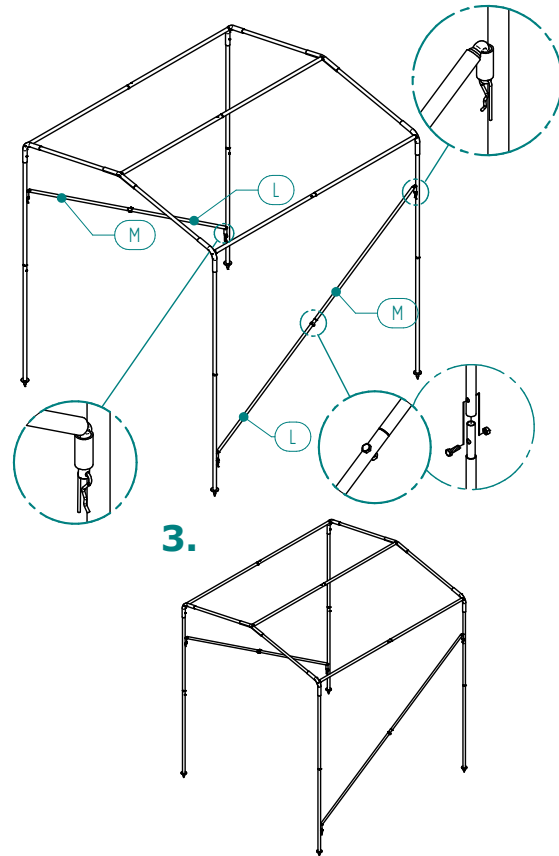
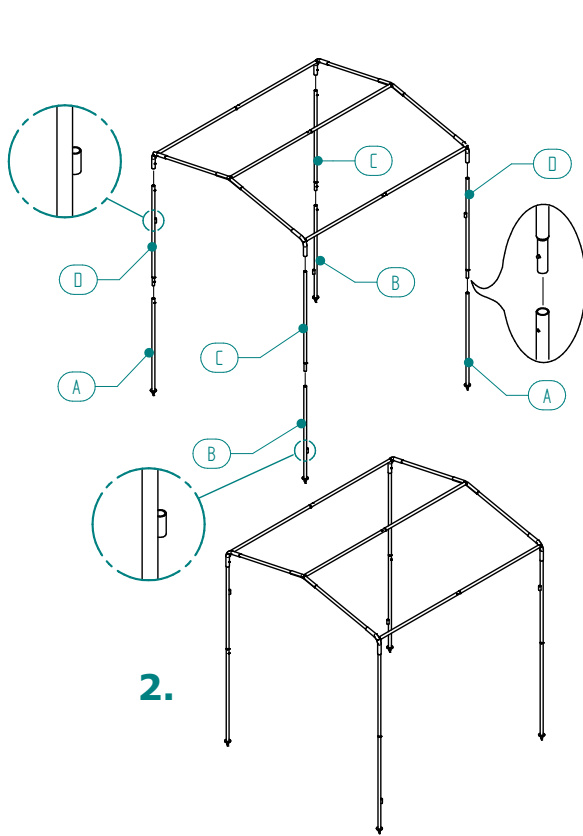
Description	Data	Unit	Test method	
1. Base fabric	100% PES (1000D*1000D)		DIN EN ISO2060	
2. Construction	weaving 20*20	inch	DIN60001	
3. Total weight	610	g/sq.m	DIN53352 BS3424 meth. 5A	
4. Weight of fabric	170	g/sq.m	DIN53352 BS3424 meth. 5A	
5. Weight of pvc coating	440	g/sq.m	DIN53352 BS3424 meth. 5A	
6. Tensile strength	<i>warp</i>	2400	N/5cm	DIN53354 BS3424 meth. 6A
	<i>weft</i>	2000	N/5cm	DIN53354 BS3424 meth. 6A
7. Tearing strength	<i>warp</i>	250	N	DIN53356 BS3424 meth. 7A
	<i>weft</i>	210	N	DIN53356 BS3424 meth. 7A
8. Adhesion	80	N/5cm	DIN53357 BS3425 meth. 9B	
9. Suitable temperature	-20 / +70	°C	DIN53372 BS3424 meth. 10	

TECHNICAL USER INFORMATION

- CEPRO welding tents are supplied as an assembly kit in a strong cardboard box.
- CEPRO welding tents are suitable for use in ambient temperatures of -20°C to 70°C.
- The tubular galvanized frame and pins used to connect the structure should be regularly be checked.
- Regularly check the fabric of the CEPRO welding tents for tears and/or other damage. Replace if necessary.

CEPRO WELDING TENT CUBE MODEL

MOUNTING INSTRUCTION AND PART LIST



Version 004 - Check our website for the latest version.

CEPRO_PFS_PVC_outdoor_welding_cube_model_2EN