

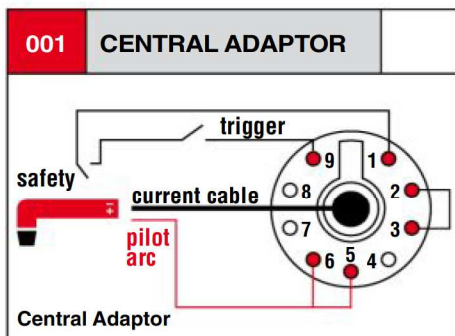
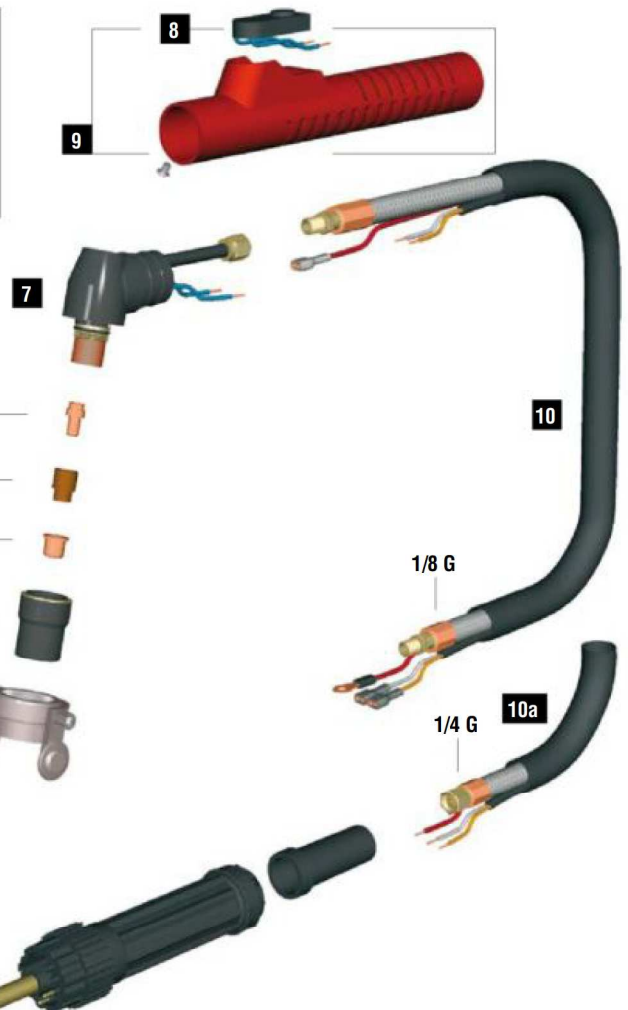
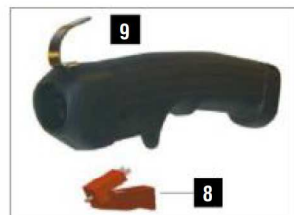
PLASMA CB 50



CODE	↔		
PA1240	6 m	19.7'	 1/8 GAS
PA1244	6 m	19.7'	 1/4 GAS
PA1242	6 m	19.7'	 CENTRAL 001

TECHNICAL DATA		
HF	PLASMA CB 50	
1m	0,6 kg	1.32 lb
PEAK	500	
	5 bar	
	165 l/min	
X 60%	50A	
X 100%	40A	
	10-15 mm	13/32"-19/32"

For all pin connection schemes see page 114



	CODE		description	Ø		↔	CONTACT		DRAG		GOUGING	REF	
1	CV0037		stand off guide	24,3 mm		31 mm							1
2	PC0003		nozzle			35,6 mm						5710121	4
3	PD0014-10		50 A	1,0 mm	.040"	26,1 mm						1306	10
3	PD0015-10		50 A	1,0 mm	.040"	11,2 mm						1304	10
3	PD0015-12		60 A	1,2 mm	.047"	11,2 mm							10
3	PD0019-08		40 A	0,8 mm	.030"	11,6 mm							10
3	PD0019-10		50 A	1,0 mm	.040"	11,6 mm						20131	10
3	PD0019-12		60 A	1,2 mm	.047"	11,6 mm							10
3	PD0063-10		50 A	1,0 mm	.040"	26,8 mm							10
3	PD0063-11		60 A	1,1 mm	.043"	26,8 mm							10
3	PD0063-12		70 A	1,2 mm	.047"	26,8 mm							10
3	PD0085-98		50 A	0,98 mm	.038"	26,2 mm						1366	10
3	PD0088-06		20 A	0,65 mm	.025"	12,3 mm							10
3	PD0088-08		40 A	0,8 mm	.030"	12,3 mm							10
3	PD0088-10		50 A	1,0 mm	.040"	12,3 mm						1396	10
3	PD0088-11		60 A	1,1 mm	.043"	12,3 mm							10
3	PD0088-12		70 A	1,2 mm	.047"	12,3 mm						1308	10
4	PE0007		diffuser			15,6 mm						20101	2
5	PR0017		electrode			17,3 mm						20103	10
5	PR0065		electrode			32,5 mm						1518-HF	10

	CODE		description	
7	EA0202		O-ring	10
7	PF0033		Plasma CB 50 torch head	1
8	BX0020		trigger	10
8	BX0070		trigger for TP0088	10
9	TP0076		handle kit	1
9	TP0088		handle kit	1

	CODE		description	
10	PH0160		power cable - 6 m / 19.7' - 1/8 G	1
10	PH0172		cable assembly - 6 m / 19.7' - 1/8 G	1
10a	PH0207		power cable - 6 m / 19.7' - 1/4 G	1
10a	PH0170		cable assembly - 6 m / 19.7' - 1/4 G	1
11	CY0002		cable support	1
11	FY0014		plasma central adaptor - 7 pins (CB)	1

STANDARD

CONTACT SHORT CONTACT LONG DRAG SHORT DRAG LONG GOUGING